



**DESIGN & CONSTRUCTION GROUP
THE GOVERNOR NELSON A. ROCKEFELLER
EMPIRE STATE PLAZA
ALBANY, NY 12242**

ADDENDUM NO. 2 TO PROJECT NO. #47337

**CONSTRUCTION, HVAC, PLUMBING AND ELECTRICAL WORK
PROVIDE ADDITION & WILDLIFE TISSUE DIGESTER
DELMAR FISH AND
WILDLIFE BUILDING
108 GAME FARM ROAD
DELMAR, NY**

December 5, 2025

NOTE: This Addendum forms a part of the Contract Documents. Insert it in the Project Manual. Acknowledge receipt of this Addendum in the space provided on the Bid Form.

CONSTRUCTION WORK SPECIFICATIONS

1. SECTION 032100 STEEL CONCRETE REINFORCEMENT
 - a. Page 032100 – 2, Article 2.01: DELETE Paragraph A.a. in its entirety.
 - b. Page 032100 – 2, Article 2.01: ADD Paragraph F. to Read:
“F. Epoxy-Coated Bar Reinforcement: ASTM A 775, with less than 2% damaged coating in each 12 inch bar length.”

2. SECTION 072100 BUILDING INSULATION
 - a. Page 072100 – 2, Article 2.01: ADD Paragraph D. to Read:
“D. Open-Cell Spray Polyurethane Foam: Spray-applied polyurethane foam using water as a blowing agent. Minimum density of 0.4 lb/cu. ft. and minimum aged R-value at 1-inch thickness of 3.4 deg F x h x sq. ft./Btu at 75 deg F.
 1. Provide one of the following:
 - a. Great Stuff for Doors & Windows by Dupont.
 - b. No Warp Window & Door Sealant by DAP.
 - c. ExoAir Flex Foam by Tremco.”

3. SECTION 093013 CERAMIC TILE
 - a. Page 093013 – 3, Article 2.01 B: Change Paragraph 1. to Read:
“1. Base for Portland Cement Mortar Installations: Coved; 4 - inches high”.

4. SECTION 102813 TOILET AND BATH ACCESSORIES
 - a. Page 102813 – 4, ADD 2.09:
“2.09 SOAP DISPENSER; Provide GOJO Touch Free Foam Soap Dispenser – 1200ml.”

CONSTRUCTION WORK DRAWINGS

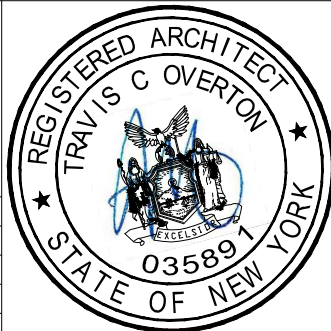
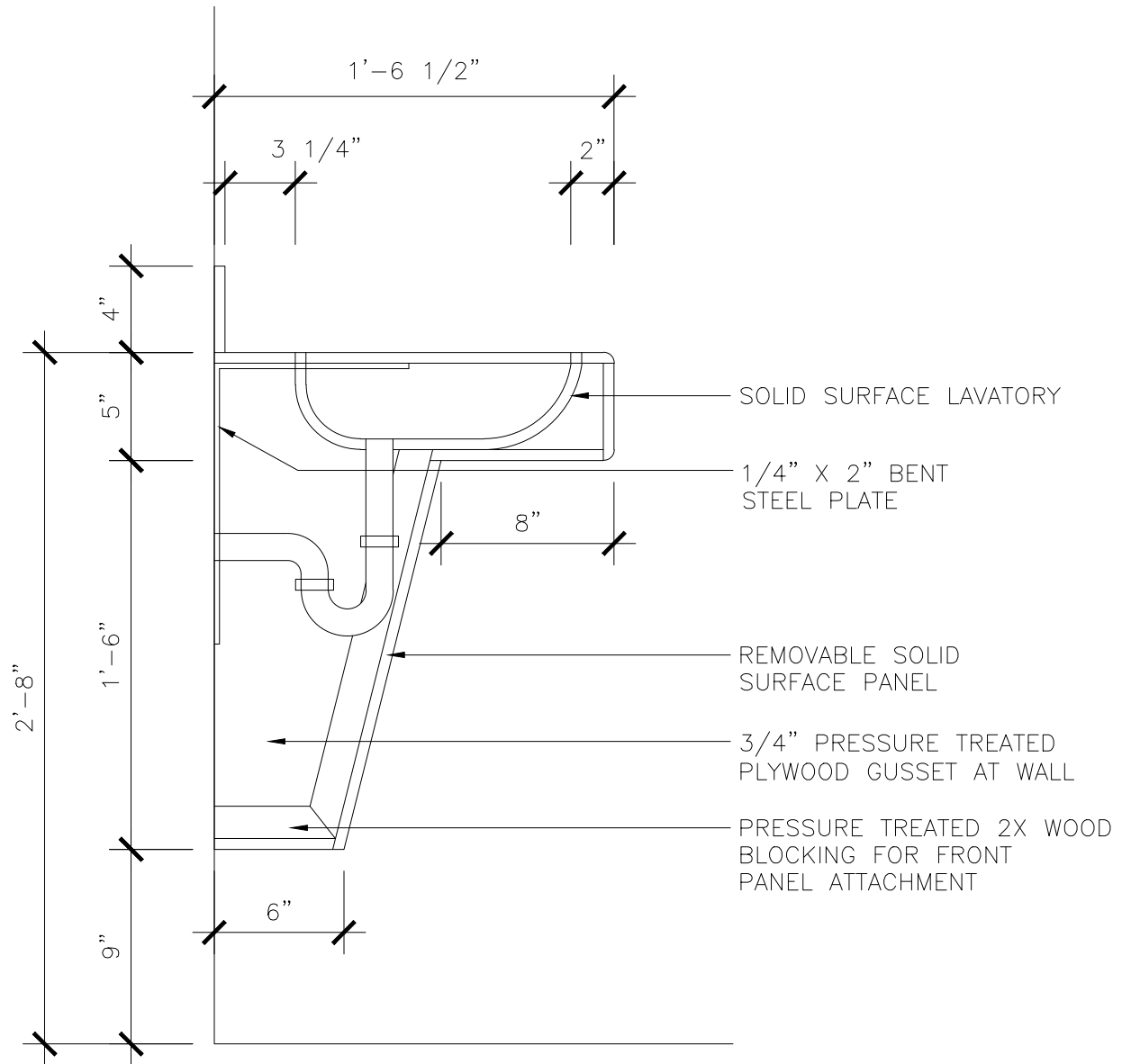
5. Drawing No. C-502; Detail No. 2:
 - a. Revise note that reads: “Guardrail 1-1/2” dia. schedule 80 stainless steel, typ. for upper and lower rail and posts, refer to Specification 055213”, to read:
“Guardrail 1-1/2” dia. galvanized steel, typ. for upper and lower rail and posts, refer to Specification 055000”.
 - b. Revise note that reads: “3/8” dia. solid round pickets, refer to Specification 055213”, to read:
“3/8” dia. solid round pickets, refer to Specification 055000”.
6. Drawing No. A-102; Keynote No. 5 located in Locker Room 004 above Sink:
 - a. CLARIFICATION: Metal Casework to be wall cabinet, double door, sized 30”x30”, similar to those illustrated on A-401. Per 123553 Metal Laboratory Casework. C Contract is to provide shop drawings which indicate types and sizes of casework.
7. Drawing No. A-110:
 - a. KEYNOTE #2: Revise as follows:
“2. PATCH / INFILL OPENING IN ROOF SYSTEM TO MATCH EXISTING TO REMAIN. SEE DETAIL 4/A-111.”
8. Drawing No. A-401; Detail No. 5:
 - c. KEYNOTE #16: DELETE in its entirety.
9. Drawing No. A-601:
 - a. ROOM FINISH SCHEDULE: Revise as follows:
 - 1) Room 004C ELECTRIC: Replace “RB Base” with “EPOXY Base”
 - 2) Room 011 THERMAL TISSUE DIGESTER ROOM: Replace “POR. TILE Base” with “EPOXY Base”
 - 3) Room 012 SUB-BASEMENT: Replace “POR. TILE Base” with “EPOXY Base”
 - 4) Room 01 STORAGE: Replace “RB Base” with “EPOXY Base”
10. Addendum Drawing:
 - a. Drawing No. AD 02.01 noted “12/01/25” accompanies this Addendum and forms part of the Contract Documents.

PLUMBING WORK DRAWINGS

11. Drawing No. P-100: P: PLUMBING FIXTURE SCHEDULE
 - a. SK-1:
 - 1) TRIM: Replace “Chicago 786-GN8AE3ABCP faucet” with “Chicago 897-RFC Faucet”
 - 2) REMARKS: Delete: “Provide HAWS Model 8904 – Axion MSR deck mount eye/face wash”
 - a. SK-2:
 - 1) TRIM: Replace “Chicago 897-RFC Faucet” with “Chicago 786-GN8AE3ABCP faucet”

END OF ADDENDUM

Brady M. Sherlock, P.E.
Director, Division of Design
Design & Construction



SHEET TITLE: SOLID SURFACE LAVATORY
DETAIL

PROJECT: PROVIDE ADDITION &
WILDLIFE TISSUE DIGESTER

CONTRACT: CONSTRUCTION
 PROJ. NO: 47337
 DATE: 12/01/25
 DRAWN: TJR
 APPROVED:

WARNING: THE ALTERATION OF THIS MATERIAL IN ANY WAY, UNLESS
 DONE UNDER THE DIRECTION OF A COMPARABLE PROFESSIONAL, I.E.,
 ARCHITECT FOR AN ARCHITECT, ENGINEER FOR AN ENGINEER OR LANDSCAPE
 ARCHITECT FOR A LANDSCAPE ARCHITECT, IS A VIOLATION OF THE NEW
 YORK STATE EDUCATION LAW AND/OR REGULATIONS AND IS A CLASS 'A'
 MISDEMEANOR.

DWG NO:
AD-02.01